

PEX-a Pexgol by

FLEXIBLE LARGE DIAMETER PIPING

Rovanco®

*Large Diameter PEX
Piping System for Hot
Water, Chilled Water
and Process Piping
Applications up to 230°F*



**20' or 40' Straight Lengths
or Coils up to 2,500 feet**

**ISO 9001:2015
CERTIFIED COMPANY**

 **PRI Registrar**
PERFORMANCE REVIEW INSTITUTE

Rovanco Piping Systems, Inc.
U.S. Distribution for:

PEXGOL NRG



PEX-a Pexgol

pre-insulated PEX

Piping System comes in 20' or 40' lengths or coils up to 2,500 feet in length.



PEX-a Pexgol is available, factory insulated, field insulated or uninsulated. 20' and 40' lengths are factory insulated at Rovanco. Coils are field insulated utilizing Rovanco's Pexgol Insulation System.

Carrier pipe is made of PEX-a natural material. It can be EVOH coated in red. Other colors available with special order. Alternately, it is supplied as a black pipe (UV Resistant). Single carrier pipe diameters range from 6"-16". A wide range of carrier pipe SDRs are available and can be specified to fit your particular application.

PEX-a Pexgol is an efficient and economical solution for applications requiring large diameter, flexible, pre-insulated piping. It is ideal for a variety of applications, including, but not limited to:

- Hot & Cold Potable Water
- Energy Transfer
- Oil & Gas Piping
- Sewerage
- Radiant Heating
- Industrial, Mining & Infrastructure
- Boreholes Pipe
- Slurry Pipelines
- Landfill Gas Collection
- Low Temp Condensate Return

Rovanco's Pexgol Insulation System

Preformed field installed insulation sections with integral jacket and sealing system is available. Sections are furnished in 20 foot lengths and can be field applied as the pipe is uncoiled. Fittings can be insulated with field installed insulation and jacket kits.



Pexgol Fittings & Connectors



Pex2Pex Coupler



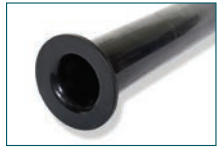
Pex2Pex 90° Elbow



Pex2Pex Tees



Pex2Pex Brass Connector



Flare Ends



Prefabricated Pex Elbows



Branch Off Saddles



Spigot Reducers

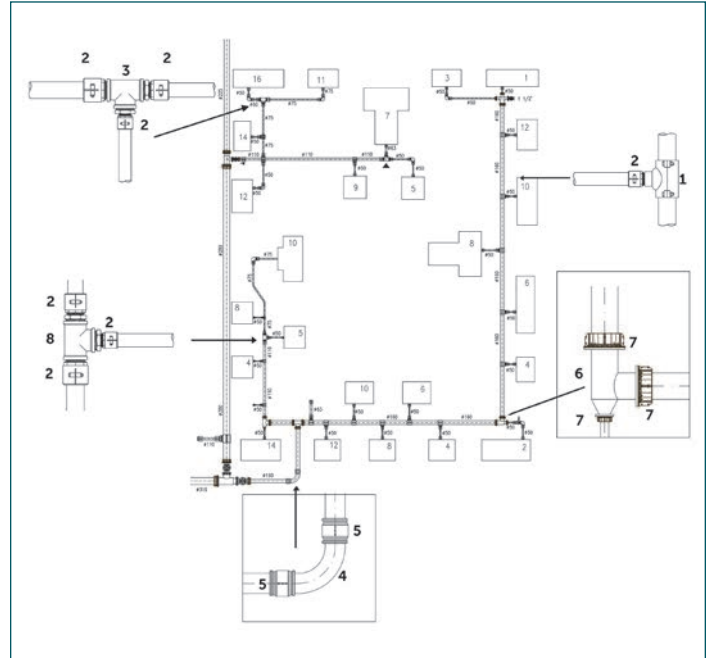


Flanged Couplers



Fixpoint Clamps

Infrastructure Hot Water Installation Example



Working Pressures – for Pexgol pipe Class 15 (SDR 11)
15 bar @ 20°C, 9 bar for natural gas
Initial ring stiffness 80 KN/m²

Outside Diameter: mm (in)	Wall Thickness: mm (in)	Inside Diameter: mm (in)	Weight: kg/m (lbs/foot)
63 (2.48)	5.8 (0.23)	51.4 (2.02)	1.03 (0.69)
75 (2.95)	6.8 (0.27)	61.4 (2.42)	1.44 (0.97)
90 (3.54)	8.2 (0.32)	73.6 (2.90)	2.09 (1.40)
110 (4.33)	10.0 (0.39)	90.0 (3.54)	3.11 (2.09)
125 (4.92)	11.4 (0.45)	102.2 (4.02)	4.03 (2.71)
140 (5.51)	12.7 (0.50)	114.6 (4.51)	5.02 (3.37)
160 (6.30)	14.6 (0.58)	130.8 (5.15)	6.60 (4.44)
180 (7.09)	16.4 (0.65)	147.2 (5.80)	8.34 (5.60)
200 (7.87)	18.1 (0.71)	163.8 (6.45)	10.23 (6.87)
225 (8.86)	20.4 (0.80)	184.2 (7.25)	12.97 (8.72)
250 (9.84)	22.7 (0.89)	204.6 (8.06)	16.05 (10.79)
280 (11.02)	25.4 (1.00)	229.2 (9.02)	20.10 (13.51)
315 (12.40)	28.6 (1.13)	257.8 (10.15)	25.46 (17.11)
355 (13.98)	32.2 (1.27)	290.6 (11.44)	32.30 (21.70)
400 (15.75)	36.3 (1.43)	327.4 (12.89)	41.50 (27.89)
450 (17.72)	40.9 (1.61)	368.2 (14.50)	52.00 (34.94)

PEX-a Pexgol Guide Specifications

Carrier Pipe Types:

SDR 11 Pexgol PEX-a extruded, cross-linked polyethylene available in coils up to 12" in diameter or standard straight lengths from 14" - 16" in diameter. Coils can be insulated with field applied 40 foot insulation/jacket sections. Straight lengths can be pre-insulated at Rovanco. Larger diameters available upon request.

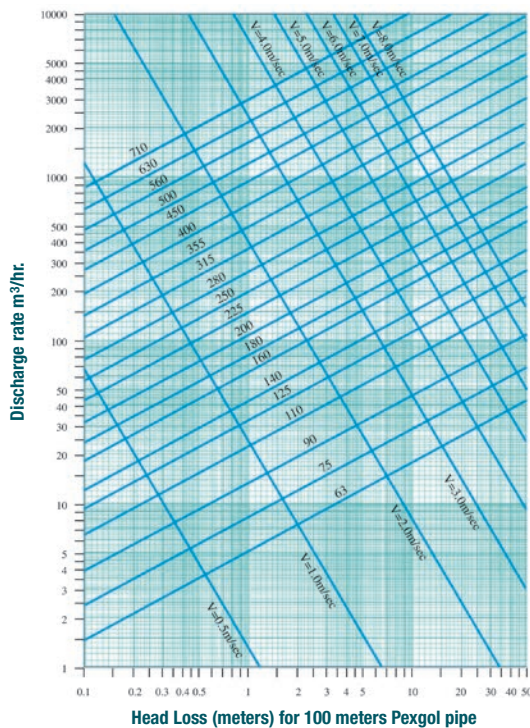
Multiple Carrier Pipe connection methods available:

Electrofusion, Victaulic Coupling and GP Flanged Couplers.

Other Carrier Pipe SDRs are available upon request.

Contact Rovanco or your local representative to discuss your application and design needs.

Flow Chart for Full Flow Conditions Class 15 (SDR 11)



Insulation:

Material: Rigid Polyurethane foam in split tubes

Thickness: Nominal 50.8 mm (2 inches)

Density: (ASTM D1622) 35 to 48 kg/m³ (2.2 to 3.0 lbs/ft³)

Closed Cell Content: (ASTM D6226) 90% minimum

Water Absorption: (ASTM D2842) 4.0% by volume

Thermal Conductivity: (ASTM C518) 0.020 to 0.025 W/m °C (0.14 to 0.17) Btu • in/ft² • hr • °F

Temperature Range: Cryogenic to 93.3°C (200°F)

Standard Length: 6.1 meters (20 feet)

Compressive Strength: (modified ASTM D1621 with 0.38mm (15 mils) polyethylene jacket) approximately 103 kPa (15 psi)

Outer Jacket Characteristics:

Jacket Material: Blue or red polyethylene tape specifically formulated for below grade applications.

Sealant: Butyl rubber and resin

Jacket Thickness: 0.38mm (15 mils)

Minimum Elongation: (ASTM D1000) 300%, 6 month test

Tensile Strength: (ASTM D1000) 6.83 kg/cm wide (38 lbs/in wide)

Manufacturer's Assistance:

Rovanco will provide a field service person on-site to properly train the installation personnel in all phases of installation (if required).

Approved Vendors:

PEX-a Pexgol Pipe and Pexgol Insulation System by Rovanco, Joliet, Illinois. Any alternative supplier must submit their technical data to the engineer ten days prior to bid date to be approved in writing as an equal.

International Approvals:



Rovanco's products are covered by various U.S. patents. Rovanco®, Insul-8®, Rhinoflex®, Rhinocoat® are federally registered trademarks. PEX-a Pexgol is a trademark of Golan Plastic Products.

Please contact Rovanco or your local Rovanco representative for additional information.

PEX-a Pexgol Piping System is available in the U.S. from Rovanco Piping Systems, Inc.

Rovanco Piping Systems, Inc.

20535 S.E. Frontage Road
Joliet, Illinois 60431
(815) 741-6700
Fax (815) 741-4229
Website: www.rovanco.com
Email: marketing@rovanco.com

© 2023 Rovanco Piping Systems, Inc.
cc #05302023

ISO 9001:2015
CERTIFIED COMPANY

PRI Registrar
PERFORMANCE REVIEW INSTITUTE