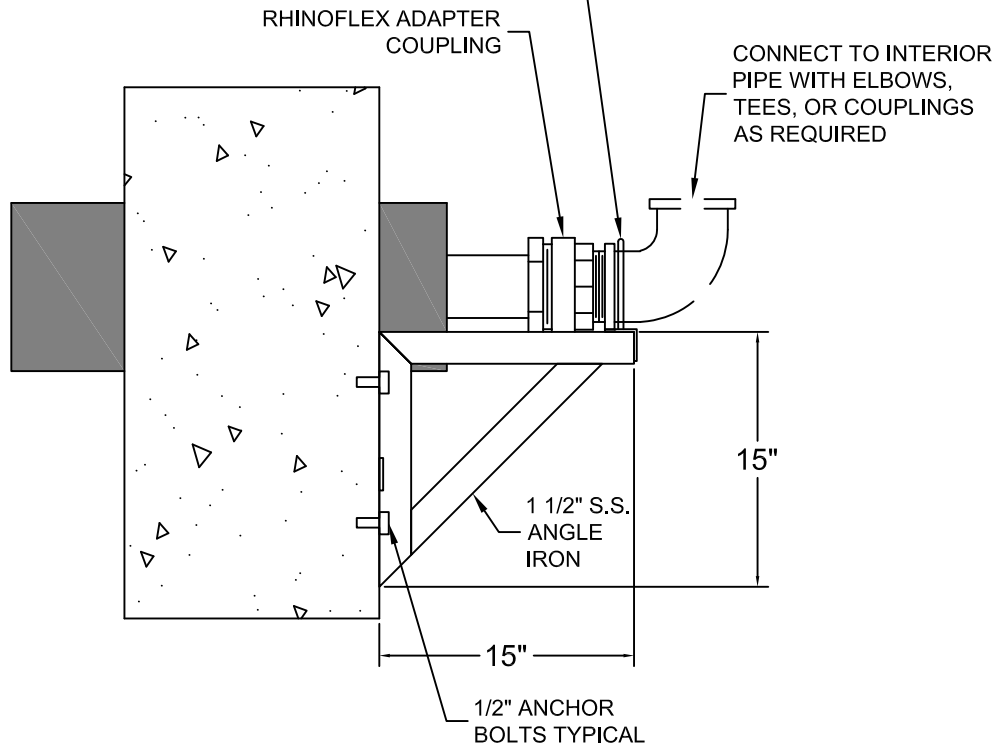


ELEVATION VIEW
FOR WALL ENTRY
PLAN VIEW
FOR FLOOR ENTRY

NOTE:
DO NOT CLAMP U-BOLT TO CARRIER PIPE OR RHINOFLEX ADAPTER COUPLING. CLAMP TO FITTING ONLY.



Rovanco®

20535 S.E. FRONTAGE RD. JOLIET, IL. 60431 (815) 741-6700

NAME: RHINOFLEX WALL OR FLOOR MOUNTED ANCHOR BRACKET

APPR BY:
DK

DRAWN BY:
RMT

DATE:
03/05/10

DWG NO:
RF-001