

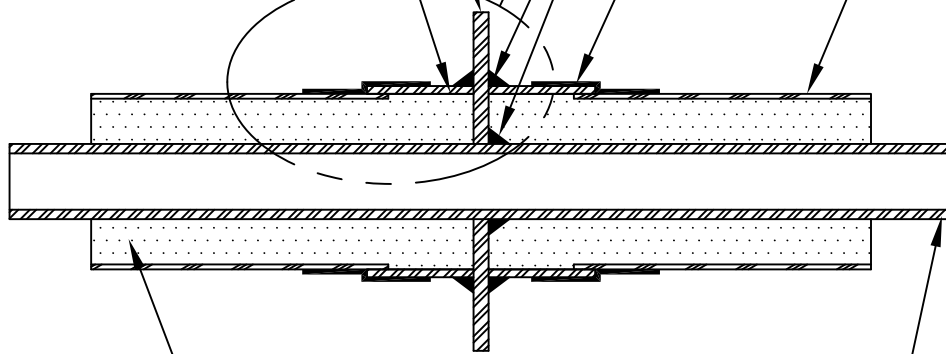
1/2" CARBON STEEL ANCHOR PLATE

10 GA STEEL RING

CONTINUOUSLY WELDED

FACTORY APPLIED WRAP AROUND SHRINK MATERIAL

PVC JACKET



CARRIER PIPE

FACTORY APPLIED FOAM INSULATION

PRE-FAB STEEL ANCHOR DETAIL

N.T.S.

Rovanco®

20535 S.E. FRONTAGE RD. JOLIET, IL. 60431 (815) 741-6700

NAME: FACTORY APPLIED ANCHOR DETAIL

APPR BY:
dk

DRAWN BY:
ad

DATE/REV:
10/26/2009

DWG NO:
FMP-SXPV-A-03