

FIELD APPLIED POLYETHYLENE
WRAP AROUND
SHRINK MATERIAL

FIELD APPLIED FLEXIBLE
FOAM INSULATION

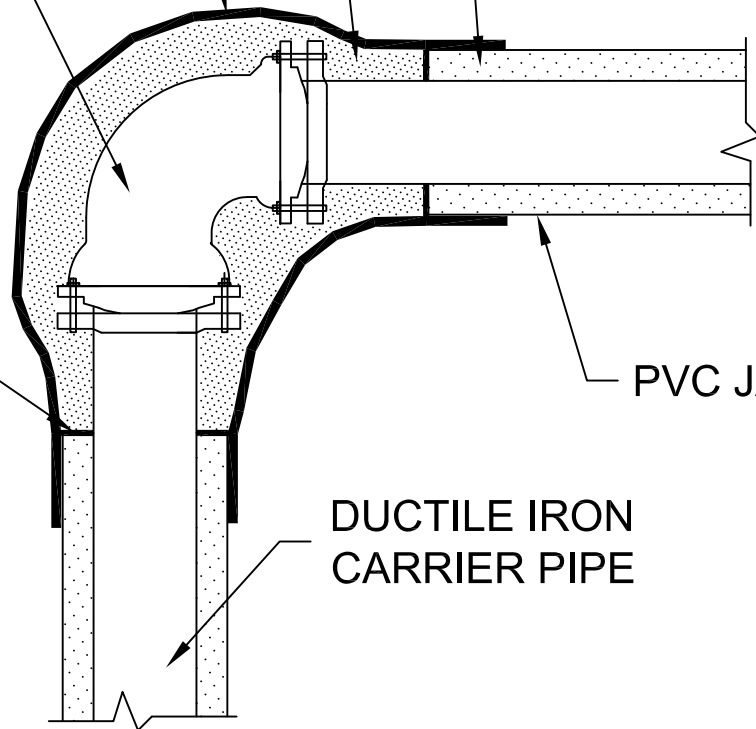
RESTRAINING DUCTILE
IRON FITTING
(NOT BY ROVANCO)

FACTORY APPLIED
FOAM INSULATION

WATER TIGHT
END SEAL

PVC JACKET

DUCTILE IRON
CARRIER PIPE



DUCTILE IRON FITTING DETAIL

N.T.S.

Rovanco®

20535 S.E. FRONTAGE RD. JOLIET, IL. 60431 (815) 741-6700

NAME: DUCTILE IRON FITTING

APPR BY:
dk

DRAWN BY:
ad

DATE/REV:
10/14/2009

DWG NO:
FM-DXPV-E-01