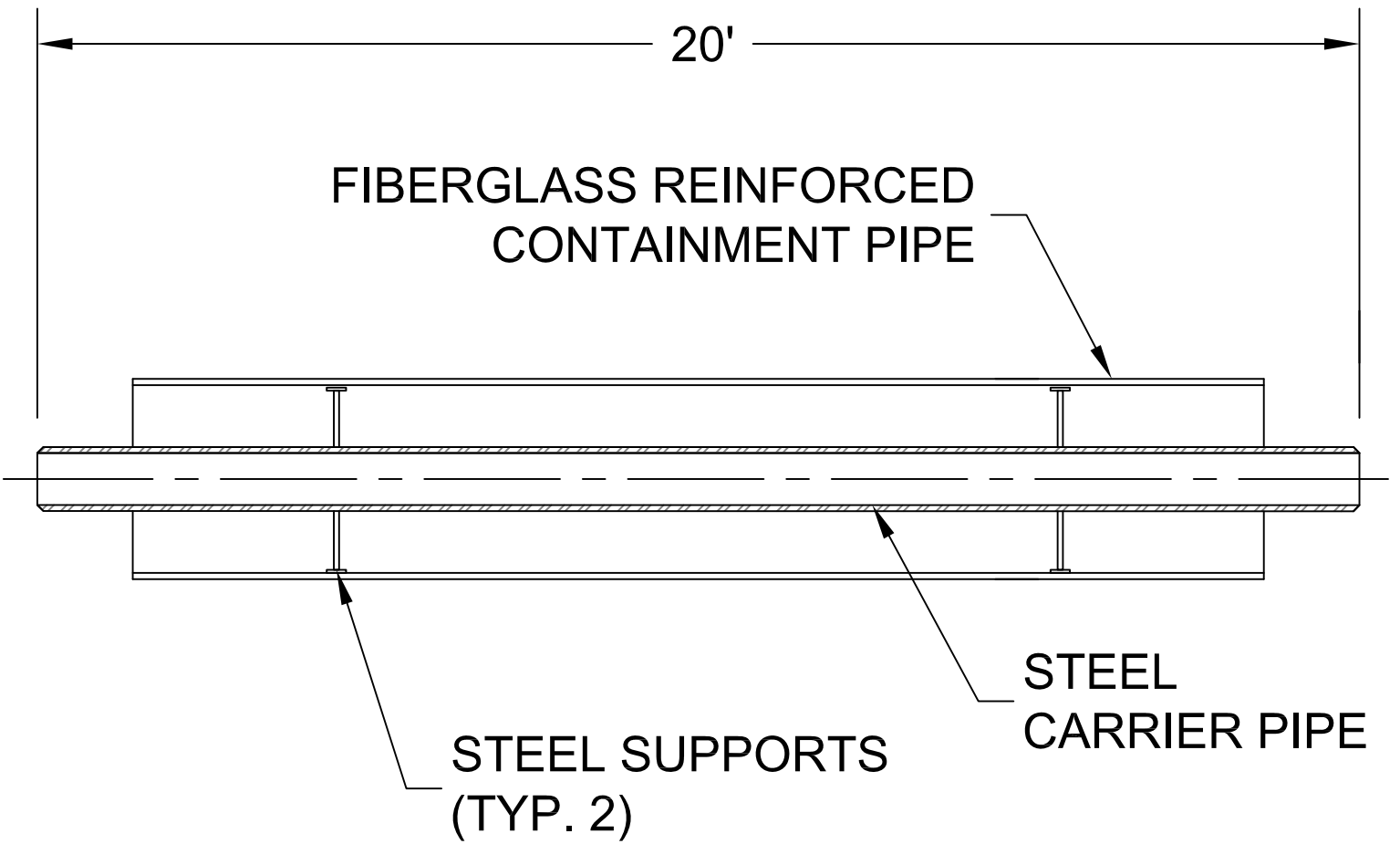


END VIEW

N.T.S.



20' STRAIGHT LENGTH

N.T.S.

Rovanco[®]

20535 S.E. FRONTAGE RD. JOLIET, IL. 60431 (815) 741-6700

NAME: 20' STRAIGHT LENGTH OF PIPE

APPR BY:
DK

DRAWN BY:
AD

DATE/REV:
10/14/2009

DWG NO:
CT-SxF-M-02