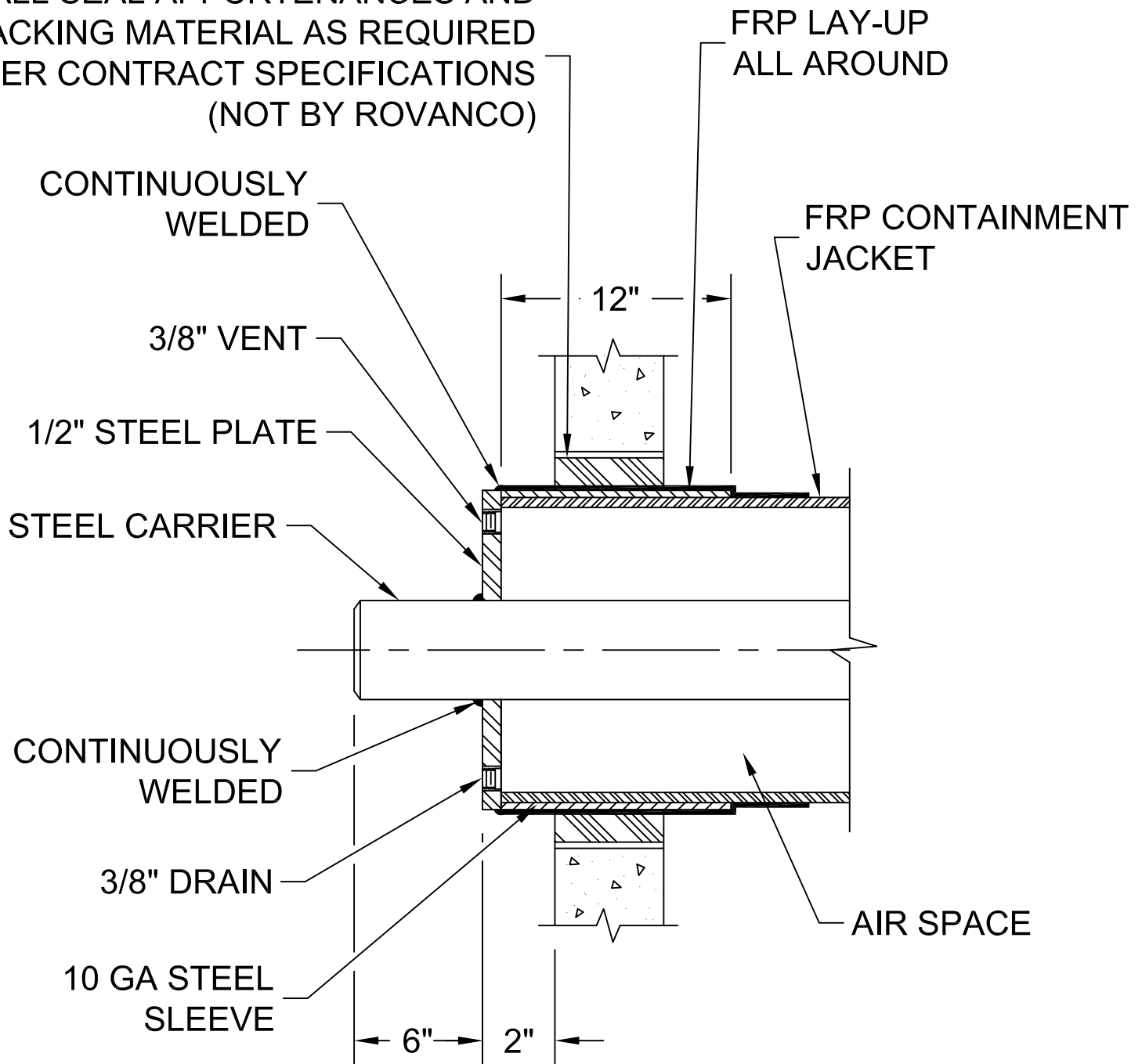


WALL SEAL APPURTENANCES AND
PACKING MATERIAL AS REQUIRED
PER CONTRACT SPECIFICATIONS
(NOT BY ROVANCO)



FRP CONTAINMENT END SEAL

N.T.S.

Rovanco[®]

20535 S.E. FRONTAGE RD. JOLIET, IL. 60431 (815) 741-6700

NAME: FRP CONTAINMENT END SEAL DETAIL

APPR BY:
DK

DRAWN BY:
AD

DATE/REV:
10/14/2009

DWG NO:
CT-SxF-ES-01