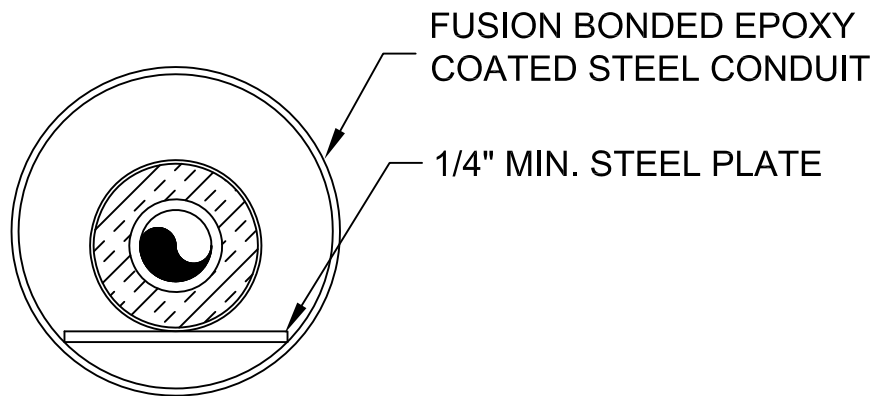


NOTE: CONDUIT NOT SHOWN FOR CLARITY



CONDUIT EXPANSION SUPPORT DETAIL

N.T.S.

DESCRIPTION: CONDUIT EXPANSION SUPPORT DETAIL

DRAWN BY:  
AMK

APPR. BY:

DATE/REV:  
02/11/04

DWG. NO:  
SCDS-03

**Rovanco**®

20535 S.E. FRONTAGE RD. JOLIET, IL. 60431 (815) 741-6700